



■ N-Type Solar Module

KEY FEATURES



Excellent performance in low-light environments



High quality junction box and connector systems



100% inspection, to guarantee the reliability of solar systems



Lower temperature



Anti PID



Enhanced safety by excellent fire resistance



Perfect for sandy, snowy and high latitude regions



Lower operating temperature, more reliable



Cutcell, Less internal power loss, Less mismatch loss

GSPV-M10/144H-620W-630W 620~630 Watt

➤ 182mm 144 Cells PV Solar Module

BLACK

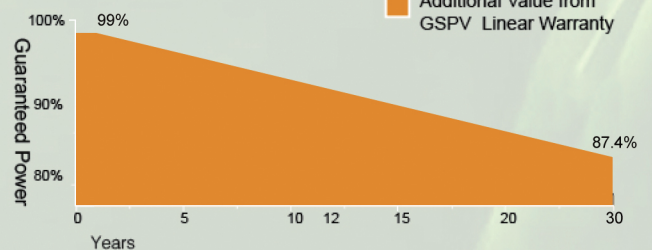
*BLACK FRAME/BLACK BACK-SHEET PRODUCTS ARE AVAILABLE UPON REQUEST



25 Years
Product Workmanship
Warranty

30 Years
Power Warranty

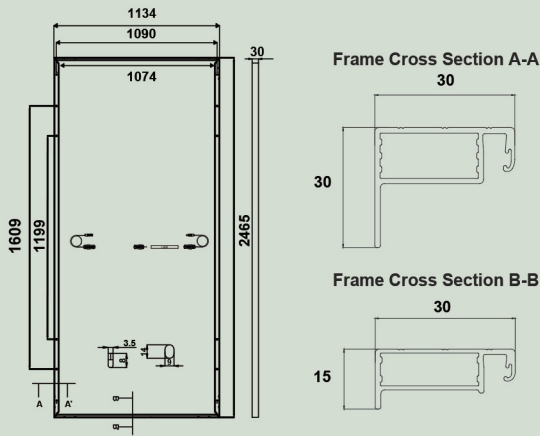
0.40%
Annual Power Attenuation



IEC61215
IEC61730
UL61215
UL61730



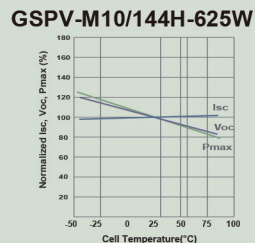
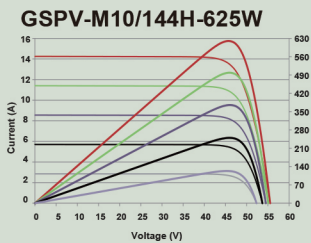
MECHANICAL DIAGRAMS



SPECIFICATIONS

Weight	29.3kg
Dimensions	2465mm*1134mm*30mm
Cell Dimensions	182*199mm
Cell Amount	72*2 pcs
Maximum System Voltage	1500V
Junction Box	IP68
Frame	Aluminum Alloy
Front glass	3.2mm, Anti-Reflection Coating, High Transmission, Low Iron, Tempered Glass
Cable	4mm ² , N 1500mm/P 1500mm for Horizontal installation 4mm ² , N 300mm/P 300mm for Vertical installation
Connector	MC4 compatible

CHARACTERISTICS



MAXIMUM RATING

Output Tolerance	0~+5W
Operating Temperature	-40°C~+85°C
Wind Load/Snow Load	2400pa/5400pa
Fuse Current	25A

ELECTRICAL PARAMETERS AT STC

Parameter	620W	625W	630W
Power	620W	625W	630W
Open Circuit Voltage	52.09V	52.29V	52.49V
Short Circuit Current	15.09A	15.15A	15.21A
Maximum Power Voltage	43.48V	43.68V	43.88V
Maximum Power Current	14.26A	14.31A	14.36A
Module Efficiency	22.18%	22.36%	22.54%

* Under Standard Test Conditions (STC) of irradiance of 1000 W/m², spectrum AM 1.5 and cell temperature of 25°C.

ELECTRICAL PARAMETERS AT NMOT

Parameter	467W	471W	474W
Power	467W	471W	474W
Open Circuit Voltage	49.49V	49.69V	49.89V
Short Circuit Current	12.13A	12.18A	12.21A
Maximum Power Voltage	40.55V	40.75V	40.95V
Maximum Power Current	11.52A	11.56A	11.58A

* Under Nominal Module Operating Temperature (NMOT), irradiance of 800 W/m², spectrum AM 1.5, ambient temperature 20°C, wind speed 1 m/s.

TEMPERATURE CHARACTERISTICS

NMOT	41±3°C	Temp Coefficient of ISC	-0.046%/°C
Temp Coefficient of VOC	-0.25%/°C	Temp Coefficient of Pmax	-0.30%/°C

PACKING CONFIGURATION

Modules/Pallet	36 Pieces	Modules/20' Container	288 Pieces
Packing Description	8 Pallets, Total=(36+36)x4=288 Pieces		